

SS023 SPACE SAVER

The essence of the SS023 system is represented by the simplicity of its appearance and design. Cubical shaped are minimized in their dimensions and thicknesses to enable fulfilling any type of layout within the most efficient functionality.

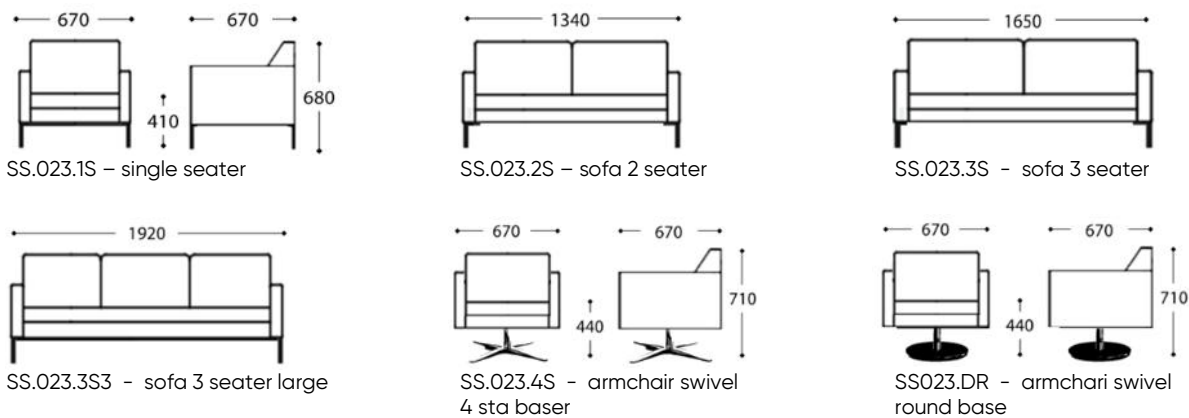
SS023 has been designed with compact proportions. Armchair, two and three seats sofas. Seating elements are provided with cylindrical aluminium satin or polished legs or alternatively with steel legs chromed or powder coated at any RAL colour.



TECHNICAL FEATURES

Type	System of individual seating elements.
Back Frame	Traditional construction made of reinforced double-panelled spruce-wood rubber-coated with layers of variable polyurethane densities.
Seat Frame	Flat spruce-wood framework rubber coated. Equipped with interlaced elastic belts. And finished with microfiber lining.
Arms Frame	Spruce wood panel with shaped polyurethane foams padding high density.
Lining	Polyester microfiber bonded onto a polyamide velveteen backing.
Seat cushion	Made of cold high density polyurethane foam of 35kg/cbm and acrylic fibre layer.
Back padding	Made of cold polyurethane foam of 30kg/cbm and acrylic fibre layers.
Base	Cylindrical aluminium satin or polished legs. Alternatively steel legs L-shape chromed or powder coated Black RAL 9005, white RAL 9010. Matt finished. Floor protective black PVC glides.
Upholstery	Fabrics or leather upholstery. COM/COL upon approval.

OVERVIEW & DIMENSIONS



COLORS & MATERIALS

Cylindrical aluminium satin or polished legs. SS023 can be upholstered in a wide range of contract fabrics and eco-leathers from Spaceform's standard upholstery collection.

Customer's Own material – fabrics and leathers – are applicable subject to Spaceform approval.

L-shaped steel feet chromed or finished with epoxy powder coating RAL 9005 matt, White RAL 9010 matt or Silver RAL 9006.

ALUMINUM FINISHES

AL-POL



Alluminio lucido
Polished Aluminum

AL-SAT



Alluminio Satinato
Satin Alluminum

STEEL FINISHES

M-CR



Cromato
Chromed

M-BP



Bianco 9010
White 9010

M-NI



Nero 9005
Black 9005

GENUINE LEATHER UPHOLSTERY

L670



Bianco/White

L681



Crema/Cream

L691



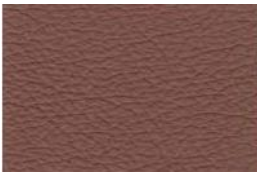
Cappuccino

L680



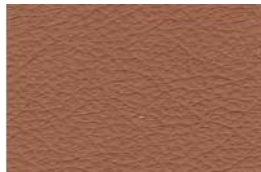
Beige

L615



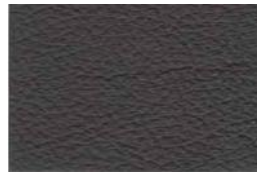
Tobacco

L622



Naturale

L614



Brown

L644



Rosso/Red

L629



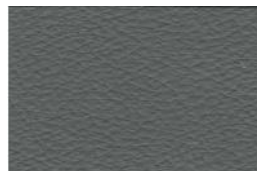
Verde/Green

L663



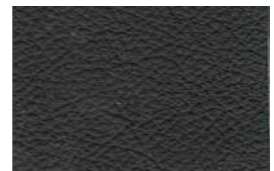
Navy Blue

L630



Cenere/Ash

L610



Nero/black

Color images above are for reference only. Please verify actual color samples.

INSPIRATIONS

